



**Otsego Northern Catskills BOCES  
Alterations to: Otsego Area Occupational Center  
SED Control No. 19-90-00-00-0-016-023 Otsego Area Occupational Center  
BCA Project No. 2024-060**

**Addendum No. 1  
February 11, 2024**

This addendum is hereby made part of the Contract Documents as though it were originally included therein. It modifies the following documents:

Original Project Manual and Drawings dated 02/07/2025.

All Bidders must acknowledge receipt of this Addendum in the space provided on the Form of Proposal.

**NEW 24" x 36" DRAWINGS:**

ES000 – ELECTRICAL GENERAL NOTES, LEGENDS & ABBREVIATIONS

ER100 – ELECTRICAL REFERENCE PLAN – FIRST FLOOR

ED100 – ELECTRICAL DEMOLITION PLAN – FIRST FLOOR

E100 – POWER PLAN – FIRST FLOOR

E500 – ELECTRICAL DETAILS

E600 – ELECTRICAL SCHEDULES

**REVISIONS TO THE PROJECT MANUAL:**

- A. Refer to Notice to Bidders; **DELETE** in its entirety and **REPLACE** with new Notice to Bidders issued as part of this addendum.

**REVISIONS TO THE CONTRACT DRAWINGS:**

- A. Refer to Project *Cover Page*:

- A. **DELETE** drawing A902 – FINISH PLAN COLORED from cover, as this drawing is not part of the set.  
B. **INSERT** DRAWINGS ES000, ER100, ED100, E100, E500 AND E600 into the drawing set.

**END OF ADDENDUM**

Please do not hesitate to contact me with any questions on this addendum, thank you.

Respectfully Submitted,  
**BCA ARCHITECTS & ENGINEERS**

**Scott J. Duell, RA, LEED AP, Principal**



**ELECTRICAL ABBREVIATIONS LIST**

1P	1 POLE (2P, 3P, 4P, ETC.)	MCB	MAIN CIRCUIT BREAKER
A	AMPERE	MCC	MOTOR CONTROL CENTER
AC	ACROSS COUNTER	MDC	MAIN DISTRIBUTION CENTER
ACLG	ABOVE CEILING	MDF	MAIN DISTRIBUTION FRAME
ADA	AMERICANS WITH DISABILITIES ACT	MFR	MANUFACTURER
ADD	AUTOMATIC DOOR OPENER	MFS	MAIN FUSED DISCONNECT SW
AF	AMP FRAME	MH	MANHOLE
AFB	ABOVE FINISHED FLOOR	MC	MICROPHONE
AFG	ABOVE FINISHED GRADE	MIN	MINIMUM
AFI	ARC FAULT CIRCUIT INTERRUPTER	MISC	MISCELLANEOUS
AHJ	AUTHORITY HAVING JURISDICTION	MLO	MAIN LUGS ONLY
AHU	AIR HANDLING UNIT	MMS	MANUAL MOTOR STARTER
AC	AMPERE INTERRUPTING CAPACITY	MOA	MULTI-OUTLET ASSEMBLY
AL	ALUMINUM	MOP	MAXIMUM OVER-CURRENT PROTECTION
ALT	ALTERNATE	MSP	MOTOR STARTER PANELBOARD
AMP	AMPERE	MSBD	MAIN SWITCHBOARD
AMPL	AMPLIFIER	MT	MOUNT
ANSI	AMERICAN NATIONAL STANDARDS INSTITUTE	MT-C	EMPTY CONDUIT
ANUN	ANNUNCIATOR	MTS	MANUAL TRANSFER SWITCH
APPROX	APPROXIMATELY	MTR	MOTOR, MOTORIZED
AQSTAT	AQUASTAT	N.C.	NORMALLY CLOSED
ARCH	ARCHITECT, ARCHITECTURAL	N.E.C.	NATIONAL ELECTRICAL CODE
AS	AMP SWITCH	NEMA	NATIONAL ELECTRICAL MANUFACTURERS ASSOCIATION
AT	AMP TRIP	NFPA	NATIONAL FIRE PROTECTION ASSOCIATION
ATS	AUTOMATIC TRANSFER SWITCH	NFPA	NATIONAL FIRE PROTECTION ASSOCIATION
AUTO	AUTOMATIC	NFPA	NATIONAL FIRE PROTECTION ASSOCIATION
AUX	AUXILIARY	NFPA	NATIONAL FIRE PROTECTION ASSOCIATION
AV	AUDIO VISUAL	NFPA	NATIONAL FIRE PROTECTION ASSOCIATION
AWG	AMERICAN WIRE GAUGE	NFPA	NATIONAL FIRE PROTECTION ASSOCIATION
BATT	BATTERY	NFPA	NATIONAL FIRE PROTECTION ASSOCIATION
BD	BUILDING DETECTOR	NFPA	NATIONAL FIRE PROTECTION ASSOCIATION
BFG	BELOW FINISH GRADE	NFPA	NATIONAL FIRE PROTECTION ASSOCIATION
BLDS	BUILDING	NFPA	NATIONAL FIRE PROTECTION ASSOCIATION
BMS	BUILDING MANAGEMENT SYSTEM	NFPA	NATIONAL FIRE PROTECTION ASSOCIATION
C	CONDUIT	NFPA	NATIONAL FIRE PROTECTION ASSOCIATION
CAB	CABINET	NFPA	NATIONAL FIRE PROTECTION ASSOCIATION
CAT	CATALEGG	NFPA	NATIONAL FIRE PROTECTION ASSOCIATION
CATV	CABLE TELEVISION	NFPA	NATIONAL FIRE PROTECTION ASSOCIATION
CB	CIRCUIT BREAKER	NFPA	NATIONAL FIRE PROTECTION ASSOCIATION
CCV	CLOSED CIRCUIT TELEVISION	NFPA	NATIONAL FIRE PROTECTION ASSOCIATION
CKT	CIRCUIT	NFPA	NATIONAL FIRE PROTECTION ASSOCIATION
CLF	CURRENT LIMITING FUSE	NFPA	NATIONAL FIRE PROTECTION ASSOCIATION
CLG	CEILING	NFPA	NATIONAL FIRE PROTECTION ASSOCIATION
COMB	COMBINATION	NFPA	NATIONAL FIRE PROTECTION ASSOCIATION
COMP	COMPRESSOR	NFPA	NATIONAL FIRE PROTECTION ASSOCIATION
CON	CONNECTION	NFPA	NATIONAL FIRE PROTECTION ASSOCIATION
CONST	CONSTRUCTION	NFPA	NATIONAL FIRE PROTECTION ASSOCIATION
CONT	CONTINUATION OR CONTINUOUS	NFPA	NATIONAL FIRE PROTECTION ASSOCIATION
CONTR	CONTRACTOR	NFPA	NATIONAL FIRE PROTECTION ASSOCIATION
CONV	CONVECTOR	NFPA	NATIONAL FIRE PROTECTION ASSOCIATION
CP	CIRCULATING PUMP	NFPA	NATIONAL FIRE PROTECTION ASSOCIATION
CRT	CATHODE-RAY TUBE	NFPA	NATIONAL FIRE PROTECTION ASSOCIATION
CT	CURRENT TRANSFORMER	NFPA	NATIONAL FIRE PROTECTION ASSOCIATION
CTR	CENTER	NFPA	NATIONAL FIRE PROTECTION ASSOCIATION
CJ	COPPER	NFPA	NATIONAL FIRE PROTECTION ASSOCIATION
CQP	DOMESTIC WATER CIRCULATING PUMP	NFPA	NATIONAL FIRE PROTECTION ASSOCIATION
DEPT	DEPARTMENT	NFPA	NATIONAL FIRE PROTECTION ASSOCIATION
DET	DETAIL	NFPA	NATIONAL FIRE PROTECTION ASSOCIATION
DIA	DIAMETER	NFPA	NATIONAL FIRE PROTECTION ASSOCIATION
DISC	DISCONNECT	NFPA	NATIONAL FIRE PROTECTION ASSOCIATION
DIST	DISTRIBUTION	NFPA	NATIONAL FIRE PROTECTION ASSOCIATION
DN	DOWN	NFPA	NATIONAL FIRE PROTECTION ASSOCIATION
DPR	DAMPEN	NFPA	NATIONAL FIRE PROTECTION ASSOCIATION
DS	SAFETY DISCONNECT SWITCH	NFPA	NATIONAL FIRE PROTECTION ASSOCIATION
DT	DOUBLE THROW	NFPA	NATIONAL FIRE PROTECTION ASSOCIATION
DWG	DRAWING	NFPA	NATIONAL FIRE PROTECTION ASSOCIATION
EC	ELECTRICAL CONTRACTOR	NFPA	NATIONAL FIRE PROTECTION ASSOCIATION
EF	EXHAUST FAN	NFPA	NATIONAL FIRE PROTECTION ASSOCIATION
ELEC	ELECTRIC, ELECTRICAL	NFPA	NATIONAL FIRE PROTECTION ASSOCIATION
ELEV	ELEVATOR	NFPA	NATIONAL FIRE PROTECTION ASSOCIATION
ELU	EMERGENCY LIGHTING UNIT	NFPA	NATIONAL FIRE PROTECTION ASSOCIATION
EM	EMERGENCY	NFPA	NATIONAL FIRE PROTECTION ASSOCIATION
EMS	ENERGY MANAGEMENT SYSTEM	NFPA	NATIONAL FIRE PROTECTION ASSOCIATION
EMT	ELECTRICAL METALLIC TUBING	NFPA	NATIONAL FIRE PROTECTION ASSOCIATION
EP	ELECTRIC PNEUMATIC	NFPA	NATIONAL FIRE PROTECTION ASSOCIATION
EQUIP	EQUIPMENT	NFPA	NATIONAL FIRE PROTECTION ASSOCIATION
EQRB	ELECTRICAL ROOM GROUND BAR	NFPA	NATIONAL FIRE PROTECTION ASSOCIATION
EW	ELECTRIC WATER COOLER	NFPA	NATIONAL FIRE PROTECTION ASSOCIATION
EXIST	EXISTING	NFPA	NATIONAL FIRE PROTECTION ASSOCIATION
EXH	EXHAUST	NFPA	NATIONAL FIRE PROTECTION ASSOCIATION
EXP	EXPLOSION PROOF	NFPA	NATIONAL FIRE PROTECTION ASSOCIATION
EXTR	EXTERIOR	NFPA	NATIONAL FIRE PROTECTION ASSOCIATION
FA	FIRE ALARM	NFPA	NATIONAL FIRE PROTECTION ASSOCIATION
FABP	FIRE ALARM BOOSTER POWER SUPPLY PANEL	NFPA	NATIONAL FIRE PROTECTION ASSOCIATION
FACP	FIRE ALARM CONTROL PANEL	NFPA	NATIONAL FIRE PROTECTION ASSOCIATION
FCU	FAN COIL UNIT	NFPA	NATIONAL FIRE PROTECTION ASSOCIATION
FIXT	FIXTURE	NFPA	NATIONAL FIRE PROTECTION ASSOCIATION
FLA	FULL LOAD AMPERES	NFPA	NATIONAL FIRE PROTECTION ASSOCIATION
FLR	FLOOR	NFPA	NATIONAL FIRE PROTECTION ASSOCIATION
FLUOR	FLUORESCENT	NFPA	NATIONAL FIRE PROTECTION ASSOCIATION
FT	FEET	NFPA	NATIONAL FIRE PROTECTION ASSOCIATION
FUS	FUSED SAFETY DISCONNECT SWITCH	NFPA	NATIONAL FIRE PROTECTION ASSOCIATION
GA	GAUGE	NFPA	NATIONAL FIRE PROTECTION ASSOCIATION
GAL	GALLON	NFPA	NATIONAL FIRE PROTECTION ASSOCIATION
GALV	GALVANIZED	NFPA	NATIONAL FIRE PROTECTION ASSOCIATION
GC	GENERAL CONTRACTOR	NFPA	NATIONAL FIRE PROTECTION ASSOCIATION
GEN	GENERATOR	NFPA	NATIONAL FIRE PROTECTION ASSOCIATION
GFI/GFCI	GROUND FAULT CIRCUIT INTERRUPTER	NFPA	NATIONAL FIRE PROTECTION ASSOCIATION
GFP	GROUND FAULT PROTECTOR	NFPA	NATIONAL FIRE PROTECTION ASSOCIATION
GND	GROUND	NFPA	NATIONAL FIRE PROTECTION ASSOCIATION
GRS	GALVANIZED RIGID STEEL (CONDUIT)	NFPA	NATIONAL FIRE PROTECTION ASSOCIATION
GYP BD	GYP-SUM BOARD	NFPA	NATIONAL FIRE PROTECTION ASSOCIATION
HDA	HANDS-OFF AUTOMATIC SWITCH	NFPA	NATIONAL FIRE PROTECTION ASSOCIATION
HORZ	HORIZONTAL	NFPA	NATIONAL FIRE PROTECTION ASSOCIATION
HP	HORSEPOWER	NFPA	NATIONAL FIRE PROTECTION ASSOCIATION
HXP	HIGH POWER FACTOR	NFPA	NATIONAL FIRE PROTECTION ASSOCIATION
HT	HEIGHT	NFPA	NATIONAL FIRE PROTECTION ASSOCIATION
HTG	HEATING	NFPA	NATIONAL FIRE PROTECTION ASSOCIATION
HTR	HEATER	NFPA	NATIONAL FIRE PROTECTION ASSOCIATION
HV	HIGH VOLTAGE	NFPA	NATIONAL FIRE PROTECTION ASSOCIATION
HVAC	HEATING, VENTILATING AND AIR CONDITIONING	NFPA	NATIONAL FIRE PROTECTION ASSOCIATION
IC	INTERLOCK WITH	NFPA	NATIONAL FIRE PROTECTION ASSOCIATION
IEEE	INSTITUTE OF ELECTRICAL AND ELECTRONIC ENGINEERS	NFPA	NATIONAL FIRE PROTECTION ASSOCIATION
IG	ISOLATED GROUND	NFPA	NATIONAL FIRE PROTECTION ASSOCIATION
IMC	INTERMEDIATE METAL CONDUIT	NFPA	NATIONAL FIRE PROTECTION ASSOCIATION
INCAND	INCANDESCENT	NFPA	NATIONAL FIRE PROTECTION ASSOCIATION
IR	INFRARED	NFPA	NATIONAL FIRE PROTECTION ASSOCIATION
IW	INTERLOCK WITH	NFPA	NATIONAL FIRE PROTECTION ASSOCIATION
J-BOX	JUNCTION BOX	NFPA	NATIONAL FIRE PROTECTION ASSOCIATION
KCMIL	THOUSAND CIRCULAR MILS	NFPA	NATIONAL FIRE PROTECTION ASSOCIATION
KV	KILOVOLT	NFPA	NATIONAL FIRE PROTECTION ASSOCIATION
KVA	KILOVOLT-AMPERE	NFPA	NATIONAL FIRE PROTECTION ASSOCIATION
KVAR	KILOVOLT-AMPERE REACTIVE	NFPA	NATIONAL FIRE PROTECTION ASSOCIATION
KW	KILOWATT	NFPA	NATIONAL FIRE PROTECTION ASSOCIATION
KWH	KILOWATT HOUR	NFPA	NATIONAL FIRE PROTECTION ASSOCIATION
LCC	LOCATE OR LOCATION	NFPA	NATIONAL FIRE PROTECTION ASSOCIATION
LEAK SHIELD		NFPA	NATIONAL FIRE PROTECTION ASSOCIATION
LT	LIGHT	NFPA	NATIONAL FIRE PROTECTION ASSOCIATION
LTC	LIGHTING	NFPA	NATIONAL FIRE PROTECTION ASSOCIATION
LING	LIGHTING	NFPA	NATIONAL FIRE PROTECTION ASSOCIATION
LV	LOW VOLTAGE	NFPA	NATIONAL FIRE PROTECTION ASSOCIATION
MAX	MAXIMUM	NFPA	NATIONAL FIRE PROTECTION ASSOCIATION
MAGS	MAGNETIC STARTER	NFPA	NATIONAL FIRE PROTECTION ASSOCIATION
MC	MOMENTARY CONTACT	NFPA	NATIONAL FIRE PROTECTION ASSOCIATION
MECH	MECHANICAL CONTRACTOR	NFPA	NATIONAL FIRE PROTECTION ASSOCIATION
MCA	MINIMUM CIRCUIT AMPACITY	NFPA	NATIONAL FIRE PROTECTION ASSOCIATION

**ELECTRICAL SYMBOL LEGEND**

SYMBOL	DESCRIPTION	SYMBOL	DESCRIPTION	SYMBOL	DESCRIPTION
	LIGHTING FIXTURES, TYPICAL. RECTANGULAR FILLED CIRCLES INDICATE RECESSED, OPEN CIRCLES INDICATE SURFACE		SINGLE RECEPT.		TELEPHONE OUTLET
	LIGHTING FIXTURES, TYPICAL. ROUND CENTER DOT INDICATES PENDANT		DUPLEX RECEPT.		FLOOR TELEPHONE OUTLET
	DIAGONAL LINE INDICATES LENSED		DUPLEX RECEPT. (DESIGNATES SPECIFIC MOUNTING HEIGHT)		VOICE/DATA OUTLET
	CHEVRON INDICATES WALL WASH		DUPLEX RECEPT. (FEED THROUGH)		# OF VOICE AND # OF DATA OUTLETS. FOR EXAMPLE 1V2D = 1 VOICE, 2 DATA
	STRIP FIXTURE		GF1 WEATHERPROOF RECEPT.		FLOOR DATA OUTLET
	DIRECTIONAL LIGHT, TRACK, FLOOD		SPLIT DUPLEX RECEPT.		CEILING DATA OUTLET
	LINEAR LIGHT, TAPE LIGHT		DUPLEX ISOLATED GROUND RECEPT.		MICROPHONE OUTLET
	EMERGENCY LIGHTING UNIT, CEILING-MOUNTED, INTEGRAL BATTERY		DUPLEX RECEPT. ON EMERG. CIRCUIT		CATV OUTLET
	EMERGENCY LIGHTING UNIT, WALL-MOUNTED, INTEGRAL BATTERY		FLOOR DUPLEX RECEPT.		TV OUTLET
	EMERGENCY LIGHTING UNIT, WALL-MOUNTED, REMOTE BATTERY		CEILING DUPLEX RECEPT.		VOLUME CONTROL
	EXIT LIGHT, CEILING-MOUNTED, SHADING AND ARROWS INDICATE FACES AND DIRECTION		FOURPLEX RECEPT.		DOOR BELL
	EXIT LIGHT, WALL-MOUNTED, SHADING AND ARROWS INDICATE FACES AND DIRECTION		FOURPLEX RECEPT. ON EMERG. CIRCUIT		DOOR BUZZER
	EXIT/TELU COMBO		240V RECEPTACLE		DOOR CHIME
	POLE/AREA LIGHTS		RECEPT. ON CORD REEL		DOOR SIGNAL
	POST-TOP AREA LIGHT		SPECIAL RECEPT.		AUTO DOOR PUSH PAD
	BOLLARD LIGHT		JUNCTION BOX		ELECTRIC STRIKE
	DIAGONAL HATCH INDICATES LIGHT ON A CRITICAL CIRCUIT		FLOOR JUNCTION BOX		MAGNETIC LOCK
	SOLID HATCH INDICATES LIGHT ON AN EMERGENCY OR LIFE SAFETY CIRCUIT		CEILING JUNCTION BOX		COMBINATION LOCK
	CEILING OCCUPANCY SENSOR		MULTI-OUTLET ASSEMBLY		DOOR CONTACT
	CEILING VACANCY SENSOR		COMB. MOTOR STARTER (FUSED)		CARD READER
	SINGLE POLE SWITCH		SAFETY DISC. SW. (NON-FUSED)		SECURITY KEYPAD
	3-WAY SWITCH		SAFETY DISC. SW. (FUSED)		MOTION DETECTOR
	4-WAY SWITCH		HARD WIRED EQUIPMENT CONNECTION		NURSE CALL EMERG. STATION
	KEYED SWITCH		RELAY		NURSE CALL BLUE STATION
	SWITCH W/PILOT		FLOOR MOUNTED PULL BOX		NURSE CALL DUTY STATION
	DIMMER SWITCH		POWER POLE (OPEN OFFICE STYLE)		NURSE CALL STAFF STATION
	OCCUPANCY SENSOR W/ MANUAL SWITCH		UTILITY SERVICE POWER POLE		NURSE CALL PATIENT STATION
	PANIC SWITCH		EXISTING TO REMAIN		NURSE CALL DOME LIGHT (1-COLOR)
	TIMER SWITCH		RELOCATED		NURSE CALL DOME LIGHT (2-COLORS)
	TIME DELAY SWITCH		DEMOLISHED		NURSE CALL DOME LIGHT (4-COLORS)
	TIME CONTROL SWITCH		EXISTING EQUIPMENT TO BE REMOVED AND SECURED FOR REUSE, DISCONNECT AND REMOVE. REINSTALL AT LOCATION SHOWN AND RECONNECT ITEM AS REQUIRED.		CLOCK SPEAKER COMBO
	FIRE ALARM GRAPHICS ANNUNCIATOR		EXISTING EQUIPMENT TO BE REMOVED AND REPLACED WITH NEW.		DENOTES REQUIRED DATA DROP
	REMOTEST TEST SWITCH		TRANSFORMER		WIRELESS ACCESS POINT CLG
	ANSUL SYSTEM		BUS DUCT W/ PLUG IN DISCONNECT		SECURITY CAMERA
	FIRE ALARM ANNUNCIATOR		CABLE TAP BOX		REQUEST TO EXIT
	FIRE ALARM CONTROL PANEL				ELECTRIC LATCH RETRACT
	FIRE ALARM PULL STATION				WALL SPEAKER
	STROBE WALL MOUNT				CEILING SPEAKER
	HORN/STROBE WALL MOUNT				
	VOICE/SPEAKER STROBE WALL MOUNT				
	FIRE ALARM BELL				
	VOICE/SPEAKER STROBE CEILING				
	VOICE EVAC. SPEAKER CEILING				
	STROBE CEILING				
	FIRE ALARM DOOR CLOSER				
	FIRE ALARM SHUT DOWN RELAY				
	DOOR HOLDER				
	CARBON MONOXIDE DETECTOR WALL MOUNT				
	CARBON MONOXIDE DETECTOR CEILING				
	THERMAL DETECTOR				
	DUCT SMOKE DETECTOR				
	SMOKE DETECTOR CEILING				
	BEAM SMOKE DETECTOR				
	SPRINKLER FLOW SWITCH				
	SPRINKLER VALVE TAMPER SWITCH				

**ELECTRICAL SYMBOL NOTES**

**LIGHTING FIXTURE TAG DESCRIPTORS:**  
 TOP VALUE: FIXTURE TYPE ID  
 BOTTOM VALUE: NUMBER, CIRCUIT NUMBER, REFER TO DRAWINGS FOR PANEL.  
 BOTTOM VALUE, LOWERCASE LETTER: SWITCH DESIGNATION.  
 ABSENCE OF A SWITCH ID INDICATES FIXTURE IS CONTROLLED BY THE ONLY SWITCH IN THE SPACE.  
 "X" IN PLACE OF THE SWITCH ID INDICATES NIGHT LIGHT, UNSWITCHED.

**EXIT LIGHTS:** STEM INDICATES WALL MOUNTING. NO STEM INDICATES CEILING MOUNTING. SHADED AREA INDICATES ILLUMINATED FACE(S). ARROW INDICATES DIRECTIONAL ARROW ON ILLUMINATED FACE(S). THE CIRCUIT DESIGNATION IS INDICATED BY A NUMBER. EXAMPLE: THE WALL MOUNTED EXIT LIGHT TYPE "E1" WITH SINGLE FACE AND DIRECTIONAL ARROW IS CONNECTED TO CIRCUIT 1.

**DEVICES:** THE CIRCUIT DESIGNATION IS INDICATED BY A NUMBER. THE SWITCH DESIGNATION IS INDICATED BY A LOWER CASE LETTER. EXAMPLE: SINGLE DUPLEX RECEPTACLE IS CONNECTED TO CIRCUIT "1" AND ONE RECEPTACLE OUTLET IS CONTROLLED BY SWITCH "Y".

**THE CIRCUIT DESIGNATION IS INDICATED BY A LOWER CASE LETTER. EXAMPLE: SINGLE POLE SWITCH "F" TO CONTROL LIGHTING FIXTURES INDICATED BY "Y".**

**WALL BOX DIMMER WITH SIZE AS INDICATED AT DEVICE. EXAMPLE: 600 WATT WALL BOX DIMMER TO CONTROL LIGHTING FIXTURES INDICATED BY "Y". SEE SPECIFICATIONS FOR WATTAGE IF NOT INDICATED.**

**SPECIAL CONNECTIONS:** THE EQUIPMENT IS INDICATED BY A NUMBER IN A CIRCLE. SEE THE MOTOR AND EQUIPMENT SCHEDULE FOR THE LOAD DESCRIPTION AND TYPE OF CONNECTION. THE CIRCUIT DESIGNATION IS INDICATED BY NUMBERS ADJACENT TO THE SYMBOL. EXAMPLE: EQUIPMENT NO. ELEC-1, 1 PHASE CONNECTION TO CIRCUITS 2, 4.

**PANELBOARDS:** PANELBOARD DOORS MAY BE SHOWN TO INDICATE OPENING SIDE OF RECESSED PANELBOARDS. SEE PANELBOARD IDENTIFICATION FOR DESIGNATION CODES.

**FLOOR CLEARANCE AREA**

**MOTOR CONNECTIONS:** THE MOTOR IS INDICATED BY A NUMBER WITHIN OR CHARACTERS ADJACENT TO THE MOTOR SYMBOL. SEE THE MOTOR AND EQUIPMENT SCHEDULE FOR THE MOTOR DESCRIPTION AND ELECTRICAL REQUIREMENTS.

**TRANSFORMERS:** THE TRANSFORMER TYPE IS INDICATED BY A NUMBER FOLLOWING THE UPPER CASE LETTER "T". SEE THE TRANSFORMER SCHEDULE OR THE SINGLE LINE DIAGRAM FOR THE TRANSFORMER DESCRIPTION AND REQUIREMENTS. EXAMPLE: TRANSFORMER TYPE "T1".

**CONDUIT IN CEILING, FLOOR OR WALL AS REQUIRED BY FIELD CONDITIONS**

**CONDUIT IN FLOOR**

**CONDUIT SHOWN WITHOUT SLASH MARKS SHALL CONTAIN 1 # 12 CONDUIT PER PHASE, NEUTRAL, AND GROUND IN 1/2" CONDUIT UNLESS SPECIFIC EQUIPMENT REQUIRES A DIFFERENT SIZE.**

**CONDUIT SHOWN SHALL CONTAIN 1 # 10 CONDUIT PER PHASE IN ELECTRICAL CODE SIZED MINIMUM CONDUIT UNLESS A CONDUCTOR AND CONDUIT SIZE IS SHOWN ADJACENT.**

**HOME RUN TO BRANCH CIRCUIT PANELBOARD:** THE PANELBOARD DESIGNATION IS SHOWN ADJACENT TO THE HOME RUN ARROW AS A NUMERATOR AND THE CIRCUIT DESIGNATION IS SHOWN AS THE DENOMINATOR. CIRCUIT BREAKER SIZES (AMPS/NUMBER OF POLES) ARE SHOWN IN THE PANELBOARD SCHEDULE WITH THE CORRESPONDING PANELBOARD AND CIRCUIT DESIGNATION. EXAMPLE: HOME RUN TO PANELBOARD P4N-102, CIRCUITS 1, 3, 5.

**GRAPHICAL REPRESENTATION OF PHASING, TYPICAL FOR ALL SYMBOLS.**

**EXISTING TO REMAIN**      **ITEM TO BE REMOVED**

**EXISTING TO BE REMOVED**      **AREA NOT IN CONTRACT**

**NEW**

**REVISION NUMBER - SHOWN ON PLANS**

**NUMBER OF DETAIL ON SHEET**

**NUMBER OF SHEET WHERE DETAIL APPEARS**

**KEYED NOTE (SEE SCHEDULE)**

**DEMOLITION KEYNOTE**

**ROOM NAME AND NUMBER**

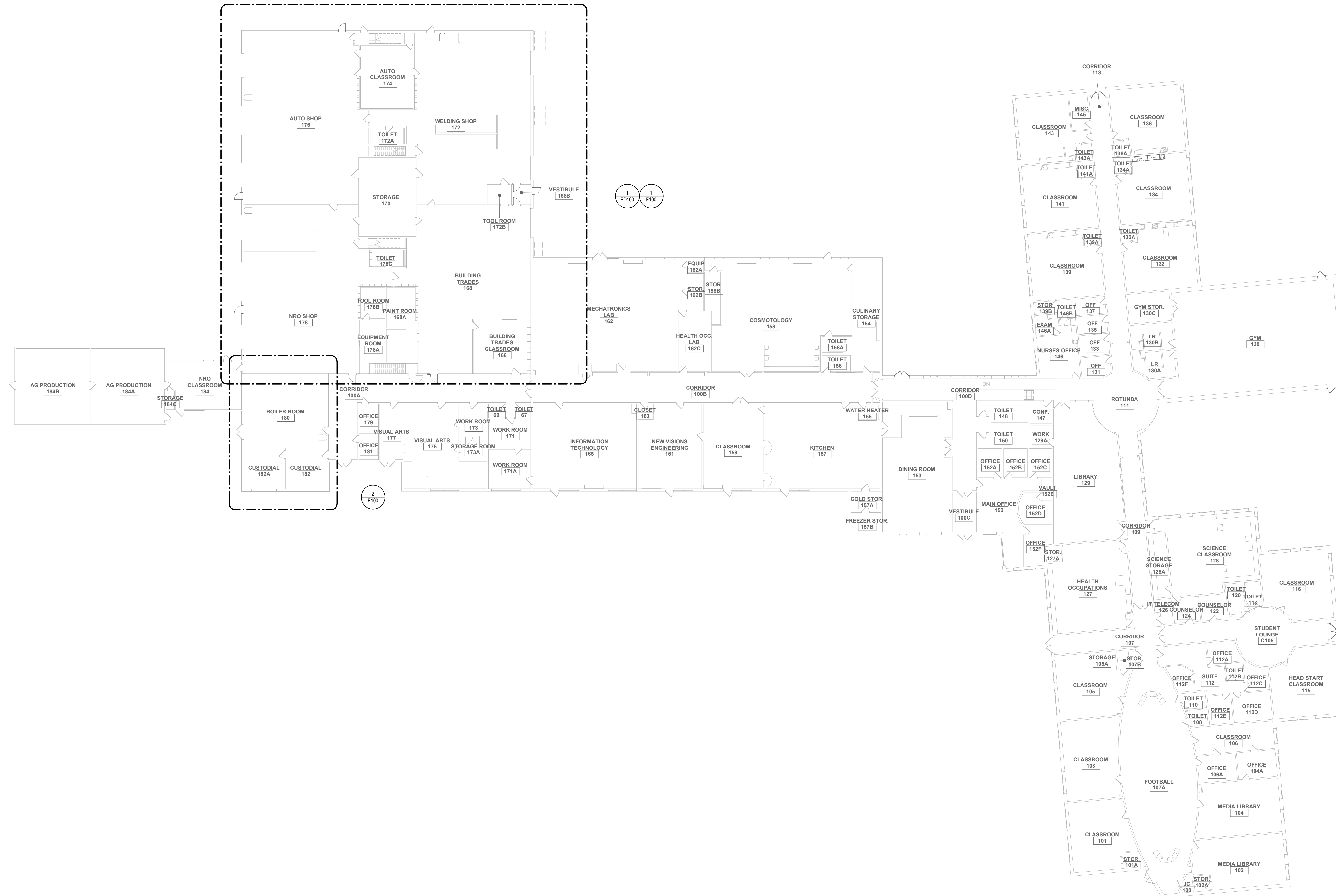
**POINT OF CONNECTION**

**POINT OF DISCONNECTION**

**ELECTRICAL GENERAL NOTES**

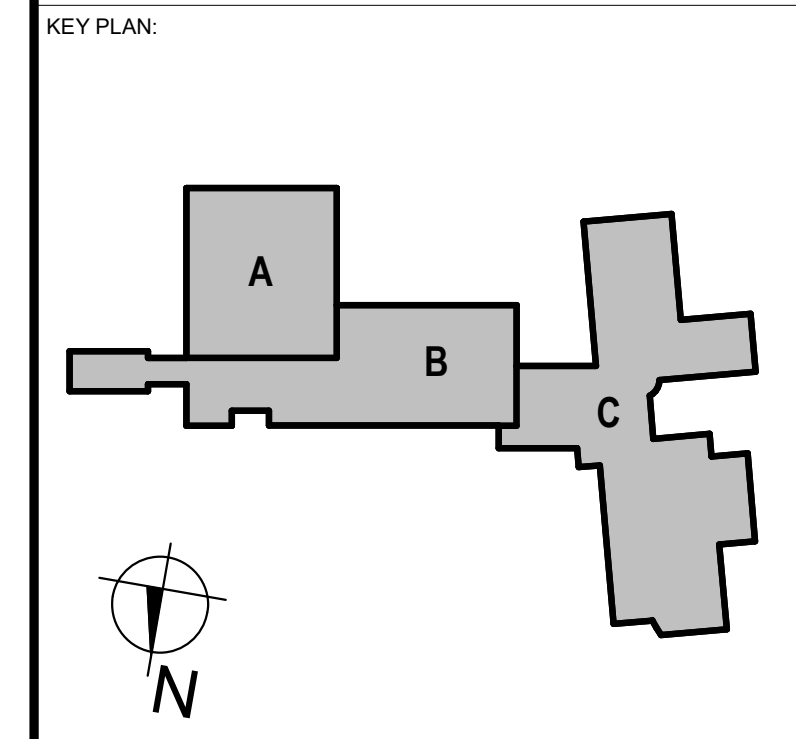
- THE PRIME CONTRACTORS ARE MUTUALLY RESPONSIBLE FOR COORDINATING THEIR WORK WITH THE WORK OF THE OTHER PRIME CONTRACTORS AND THAT OF THE OWNER AS OUTLINED IN THE GENERAL CONDITIONS OF THE CONSTRUCTION CONTRACT AND THE SUPPLEMENTARY CONDITIONS. COORDINATE EXISTING SYSTEM SHUT DOWNS IN ADVANCE WITH THE OWNER.
- CONTRACT DRAWINGS AND SPECIFICATIONS ARE COMPLEMENTARY AND MUST BE SO CONSTRUED TO DETERMINE THE FULL SCOPE OF WORK. REFERENCES TO CODES, SPECIFICATIONS, AND STANDARDS CALLED FOR IN THE SPECIFICATION SECTIONS AND ON THE DRAWINGS MEAN, THE LATEST EDITION, AMENDMENT, AND REVISION OF SUCH REFERENCED STANDARD / CODE IN EFFECT ON THE DATE OF THESE CONTRACT DOCUMENTS.
- THE CONTRACT DRAWINGS ARE, IN PART, DIAGRAMMATIC AND ARE INTENDED TO CONVEY THE GENERAL SCOPE AND INTENT OF THE WORK AS WELL AS INDICATE THE GENERAL ARRANGEMENT OF THE EQUIPMENT. THE CONTRACTOR IS TO COMPLY WITH THE DRAWINGS FOR GENERAL LAYOUT OF THE WORK AND IF THERE ARE DISCREPANCIES, THE CONTRACTOR IS TO NOTIFY THE ARCHITECT/ENGINEER IMMEDIATELY. PROVIDE ALL RELATED ACCESSORIES REQUIRED FOR A COMPLETE OPERATIONAL AND SATISFACTORY INSTALLATION REQUIRED FOR CONTINUOUS USE BY OWNER. NOT ALL DEVICES TERMINATIONS, JUNCTION BOXES, AND WIRING HAVE BEEN SHOWN FOR DRAWING CLARITY.
- REASONABLE CHANGES REQUIRED BY JOB CONDITIONS (INCLUDING OFFSETTING OF CONDUITS AROUND BEAMS, ETC.) SHALL BE MADE, AFTER OBTAINING THE ENGINEER'S APPROVAL, AT NO ADDITIONAL COST TO THE OWNER. OBTAIN WRITTEN AUTHORIZATION FROM PROJECT STRUCTURAL ENGINEER PRIOR TO PENETRATING OR CUTTING ANY STRUCTURAL COMPONENTS.
- COORDINATE ELECTRICAL WORK, PHASING AND POWER OUTAGES WITH OWNER AND OTHER TRADES PRIOR TO THE START OF CONSTRUCTION. IT IS A REQUIREMENT OF THE PROJECT THAT THE CONSTRUCTION WORK BE PHASED TO FACILITATE MINIMUM IMPACT TO THE NORMAL OPERATION OF THE FACILITY. IT IS THE RESPONSIBILITY OF THE CONTRACTOR TO THOROUGHLY REVIEW THE GENERAL CONDITIONS AND SECTION 01 000 MILESTONE SCHEDULE FOR THE PHASING REQUIREMENTS.

2/11/2025 10:01:29 AM



**1** FIRST FLOOR REFERENCE PLAN  
SCALE: 1" = 20'-0"

**GENERAL NOTES:**  
1. SEE DRAWING ES000 FOR APPLICABLE GENERAL NOTES, ABBREVIATIONS, SYMBOLS AND LEGENDS



SED NO. 19-90-00-00-016-023  
COPYRIGHT © 2024 - BCA ARCHITECTS & ENGINEERS. WARNING - IT IS A VIOLATION OF THE NEW YORK STATE EDUCATION LAW FOR ANY UNAUTHORIZED ALTERATIONS TO THIS DOCUMENT AS PER ARTICLE 145 AND 147.

**BCA Architects & Engineers**  
Watertown | Ithaca | Saratoga Springs  
Rochester | Troy | Binghamton  
WWW.THEBCGROUP.COM



OTSEGO NORTHERN CATSKILLS BOCES  
OTSEGO AREA OCCUPATIONAL CENTER  
1914 COUNTY HWY 35, MILFORD, NY 13807  
MILFORD - OTSEGO - NY

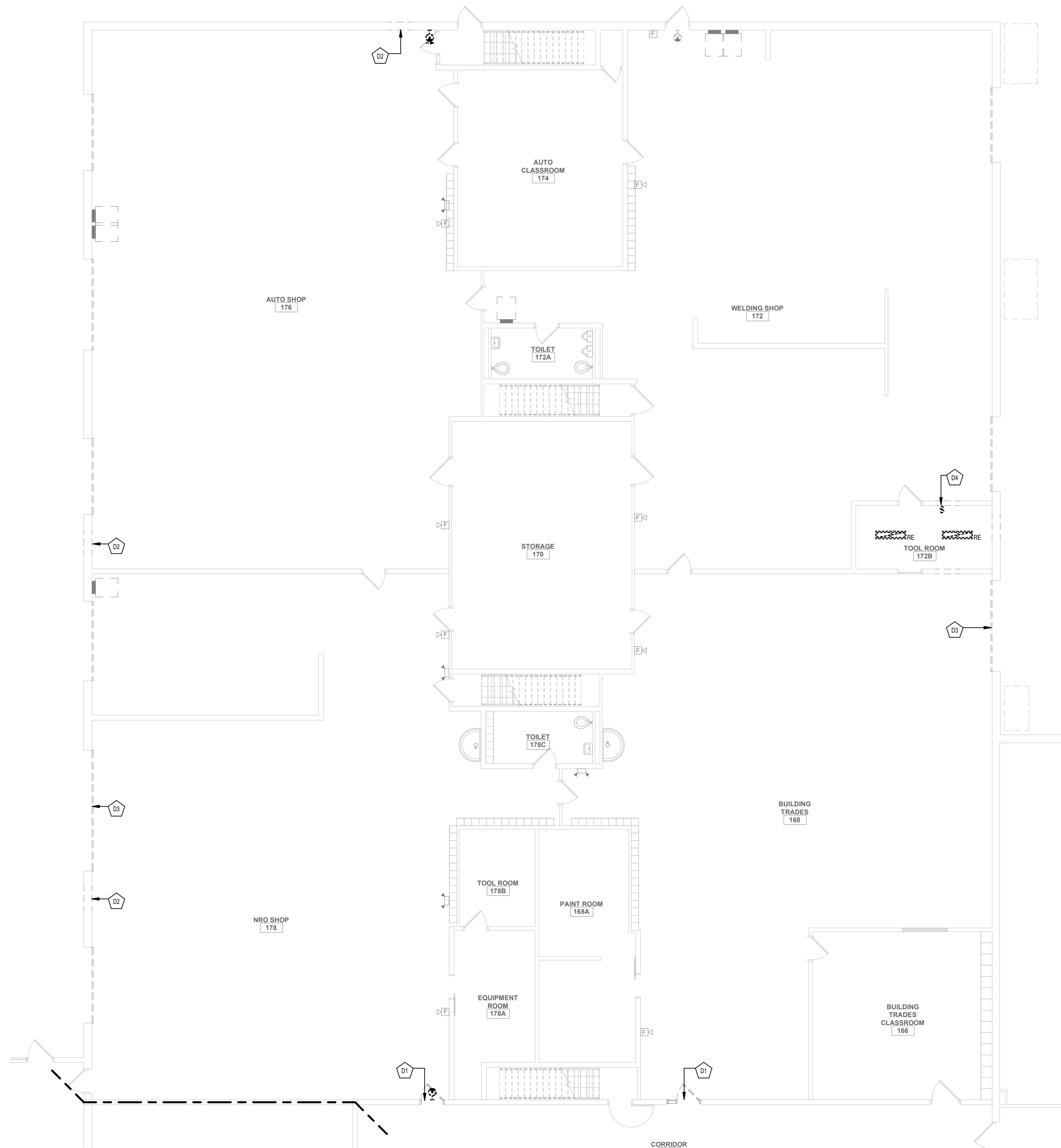
REV	DATE	DESCRIPTION

DRAWN BY TMF	PROJECT NUMBER 2024-060
CHECKED BY SGV	DATE 08/29/2024

**ELECTRICAL REFERENCE PLAN - FIRST FLOOR**

SHEET NUMBER  
**ER100**

2/11/2025 10:01:50 AM

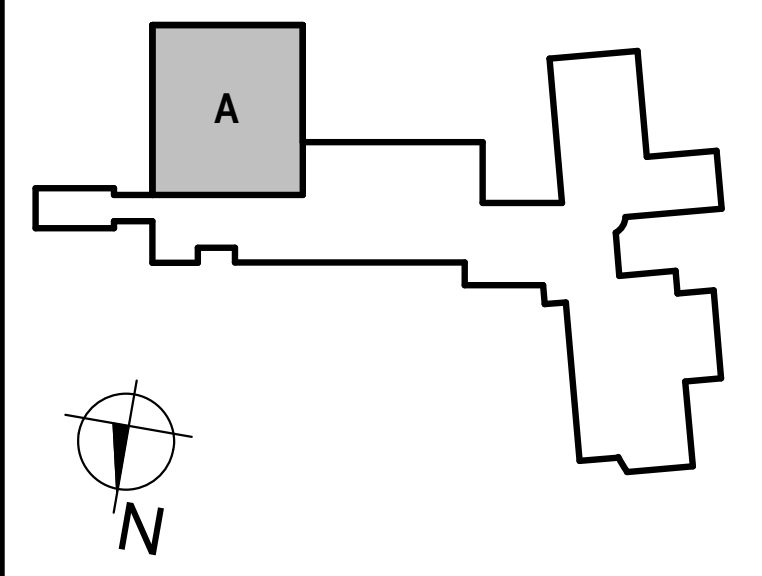


**1** ELECTRICAL DEMOLITION PLAN - FIRST FLOOR  
SCALE: 1/8" = 1'-0"

**GENERAL NOTES:**

- SEE DRAWING ES000 FOR APPLICABLE GENERAL NOTES, ABBREVIATIONS, SYMBOLS AND LEGENDS
- DEMOLITION KEYNOTE LEGEND**
- D1 DISCONNECT WIRING TO EXISTING ACCESS CONTROL AT DOOR AND REMOVE EXISTING ELECTRICAL LATCH RETRACT. TAG EXISTING WIRING FOR REUSE. SEE SHEET E100 FOR FURTHER INFORMATION.
  - D2 CONTRACTOR TO CUT EXISTING CONDUITS RUNNING ACROSS NEW DOOR OPENING. REFER TO DRAWING E100 FOR ADDITIONAL INFORMATION.
  - D3 DISCONNECT EXISTING POWER TO GARAGE DOOR OPENER AND TAG WIRING FOR REUSE. REMOVE EXISTING CONTROL WIRING FROM "UP-DOWN" STARTER TO MOTOR. REFER TO DRAWING E100 FOR FURTHER INFORMATION.
  - D4 DISCONNECT AND REMOVE EXISTING LIGHT SWITCH AND ALL ASSOCIATED WIRING. REFER TO DRAWING E100 FOR FURTHER INFORMATION.

**KEY PLAN:**



SED NO. 19-90-00-00-0-016-023

COPYRIGHT © 2024 - BCA ARCHITECTS & ENGINEERS. WARNING - IT IS A VIOLATION OF THE NEW YORK STATE EDUCATION LAW FOR ANY UNAUTHORIZED ALTERATIONS TO THIS DOCUMENT AS PER ARTICLE 145 AND 147.

**BCA Architects & Engineers**  
Watertown | Ithaca | Saratoga Springs  
Rochester | Troy | Binghamton  
WWW.THEBCGROUP.COM



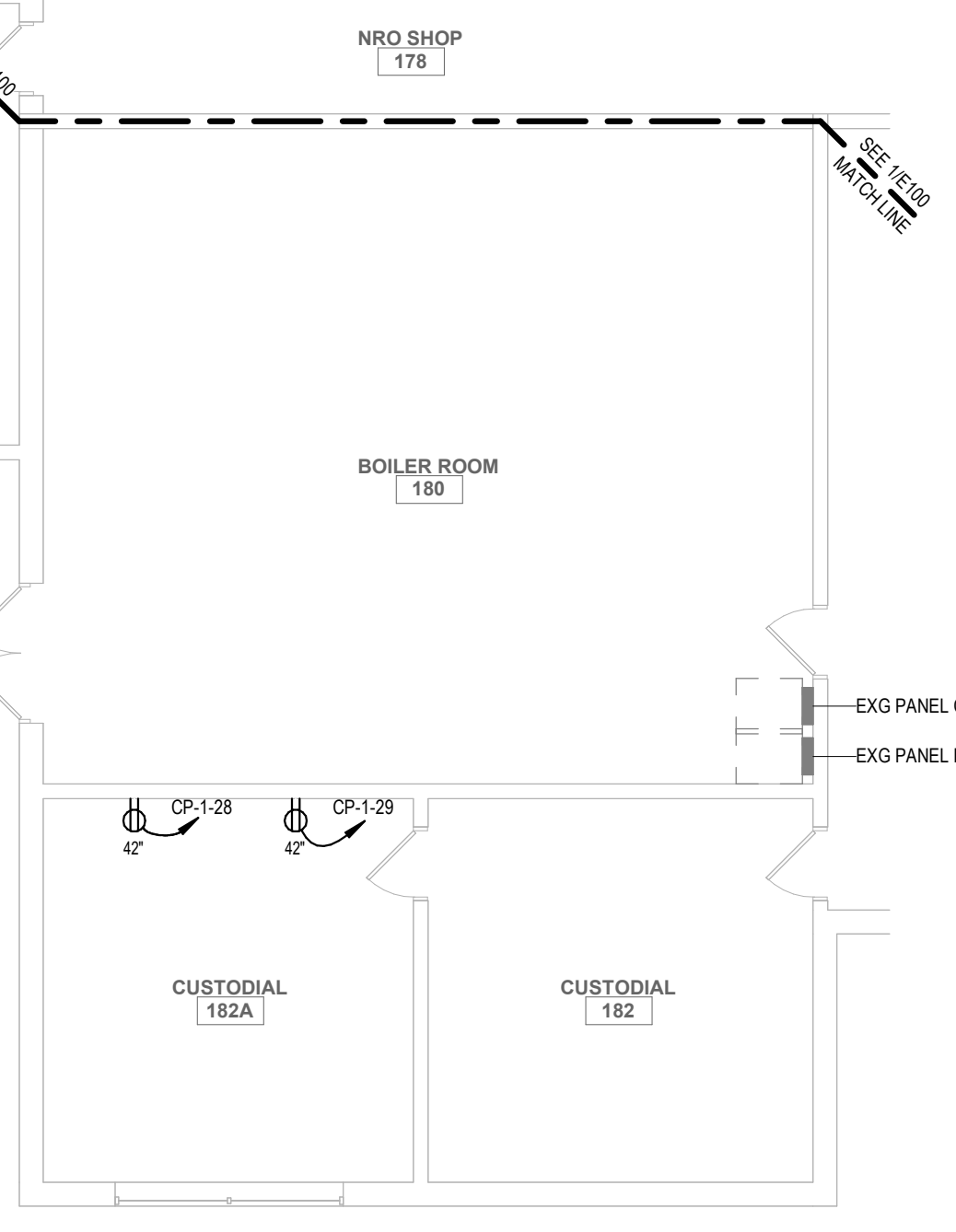
OTSEGO NORTHERN CATSKILLS BOCES  
OTSEGO AREA OCCUPATIONAL CENTER  
1914 COUNTY HWY 35, MILFORD, NY 13807  
MILFORD - OTSEGO - NY

REV	DATE	DESCRIPTION

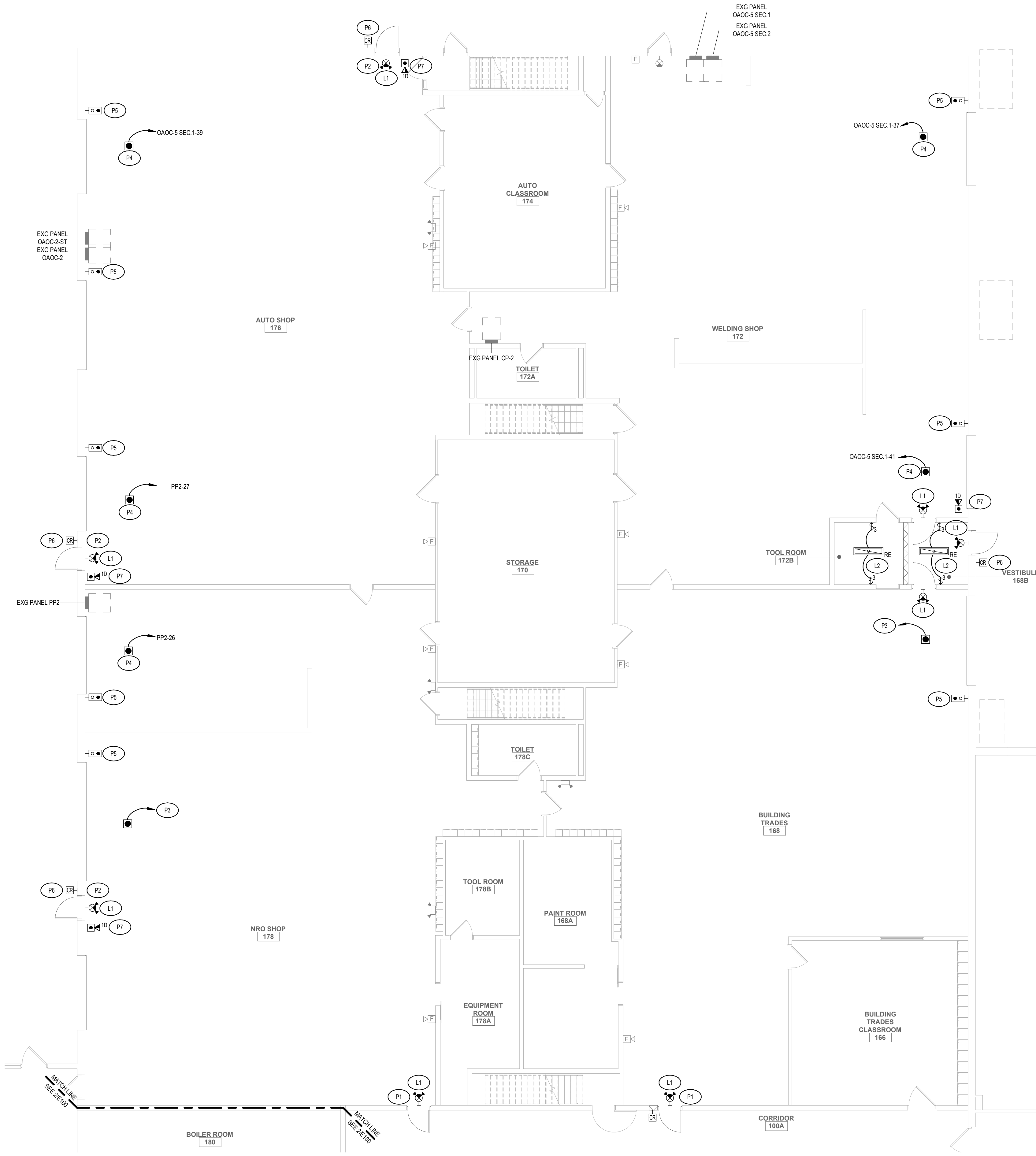
DRAWN BY TMF	PROJECT NUMBER 2024-060
CHECKED BY SGV	DATE 08/29/2024

**ELECTRICAL DEMOLITION PLAN - FIRST FLOOR**

SHEET NUMBER  
**ED100**



**2 POWER PLAN - PARTIAL AREA B**  
SCALE: 1/8" = 1'-0"

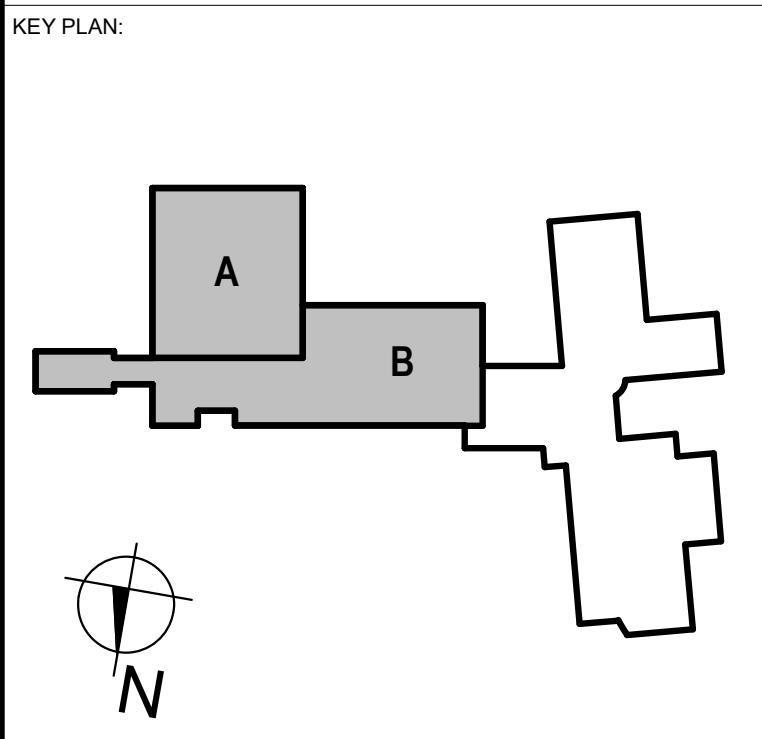


**1 POWER PLAN - AREA A**  
SCALE: 1/8" = 1'-0"

**GENERAL NOTES:**  
1. SEE DRAWING ES000 FOR APPLICABLE GENERAL NOTES, ABBREVIATIONS, SYMBOLS AND LEGENDS

**KEYNOTE LEGEND**

- L1 PROVIDE A LITHONIA LIGHTING CATALOG NUMBER ECOR ELA W03 EXIT LIGHT WITH (2) ATTACHED EMERGENCY LIGHTS UL924 RATED FOR 90 MIN OF OPERATION. CIRCUIT EXIT LIGHT TO UN-SWITCHED HOT LEG OF CIRCUIT FEEDING LIGHTS IN THIS ROOM.
- L2 PROVIDE NEW SWITCHING AND CIRCUIT AS SHOWN UTILIZING EXISTING ROOM LIGHTING CIRCUIT.
- P1 CONTRACTOR TO RE-INSTALL ELECTRONIC LATCH RETRACT AT NEW DOOR AND THEN RECONNECT ALL EXISTING ACCESS DOOR WIRING.
- P2 AT NEW DOOR OPENING CONTRACTOR TO PROVIDE 6" SQUARE 4" DEEP JUNCTION BOXES ON BOTH SIDES OF OPENING AND RELOCATE EXISTING CONDUITS AND LEADS TO RUN FROM JB TO 2'-0" ABOVE DOOR THEN BACK TO JB ON OTHER SIDE OF DOOR.
- P3 CONTRACTOR TO EXTEND PREVIOUSLY TAGGED MOTOR CIRCUIT TO NEW DOOR OPENER MOTOR.
- P4 PROVIDE CIRCUIT INDICATED TO NEW DOOR OPENER MOTOR.
- P5 PROVIDE NEW SURFACE BOX AND 3/4" EMT CONDUIT BETWEEN BOX AND DOOR OPENER MOTOR CONTROLLER. EC TO THEN INSTALL "UP-DOWN" CONTROLLER FURNISHED BY OTHERS AT BOX AND PROVIDE 6-18AWG CONTROL WIRING BETWEEN SWITCH AND MOTOR.
- P6 PROVIDE A SINGLE GANG BOX AT 42" AFF WITH A 1/2" CONDUIT FROM BOX TO 10'-0" INSIDE BUILDING FOR CARD READER.
- P7 PROVIDE 120 VOLT CONNECTION TO DOOR CONTROLLER FROM NEAREST RECEPTACLE CIRCUIT ALSO PROVIDE PLENUM RATED CATEGORY 6 UTP CONNECTION FROM NEAREST IDF. ASSUME 200' CABLE LENGTH. SEE DETAIL ON DRAWING ES000 FOR OTHER ACCESS DOOR CONNECTIONS REQUIRED FOR DOOR.



SED NO. 19-90-00-00-0-016-023  
COPYRIGHT © 2024 - BCA ARCHITECTS & ENGINEERS. WARNING - IT IS A VIOLATION OF THE NEW YORK STATE EDUCATION LAW FOR ANY UNAUTHORIZED ALTERATIONS TO THIS DOCUMENT AS PER ARTICLE 145 AND 147.

**BCA Architects & Engineers**  
Watertown | Ithaca | Saratoga Springs  
Rochester | Troy | Binghamton  
WWW.THEBCGROUP.COM



OTSEGO NORTHERN CATSKILLS BOCES  
OTSEGO AREA OCCUPATIONAL CENTER  
1914 COUNTY HWY 35, MILFORD, NY 13807  
MILFORD - OTSEGO - NY

REV	DATE	DESCRIPTION

DRAWN BY TMF	PROJECT NUMBER 2024-060
CHECKED BY SGV	DATE 08/29/2024

**POWER PLAN - FIRST FLOOR**

SHEET NUMBER  
**E100**

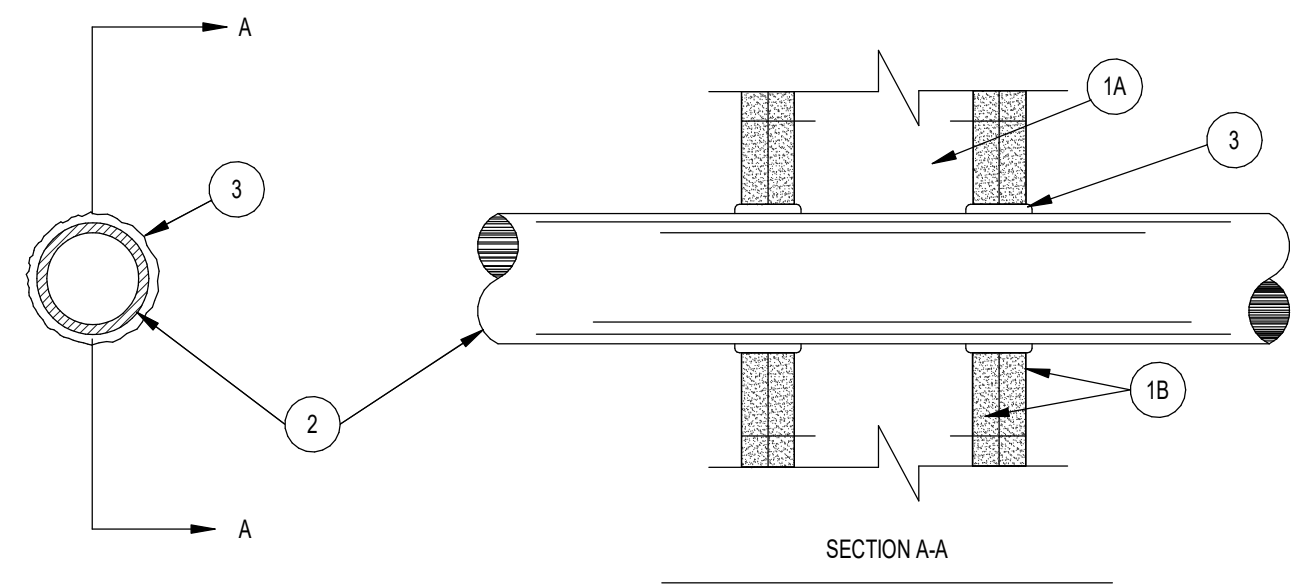
2/11/2025 10:02:09 AM

### FIRESTOP METHOD

- NOTE:  
 PENETRATIONS OF FIRE RATED ASSEMBLIES MUST BE PROTECTED BY U.L. SYSTEM WL 1001, 1002 OR 1003. SUCH PENETRATIONS ARE TYPICALLY FOUND AT:
- A) OCCUPANCY SEPARATIONS
  - B) EXTERIOR WALLS
  - C) AREA SEPARATIONS
  - D) JANITOR CLOSETS
  - E) SHAFT ENCLOSURES
  - F) CORRIDORS
  - G) STAIR ENCLOSURES
  - H) EXIT PASSAGeways
  - I) "TYPE OF CONSTRUCTION SEPARATION"
  - J) BOILER, CENTRAL HEATING PLANT, OR HOT WATER SUPPLY ROOM ENCLOSURES.

### THROUGH-PENETRATION FIRESTOP SYSTEMS (XHEZ)

SYSTEMS NO. WL1001-CAULK ONLY (FORMERLY SYSTEM NO. 147A)  
 F RATINGS-1,2,3 AND 4 HR (SEE ITEMS 2 AND 3)  
 T RATINGS-0,1,2,3 AND 4 HR (SEE ITEM 3)



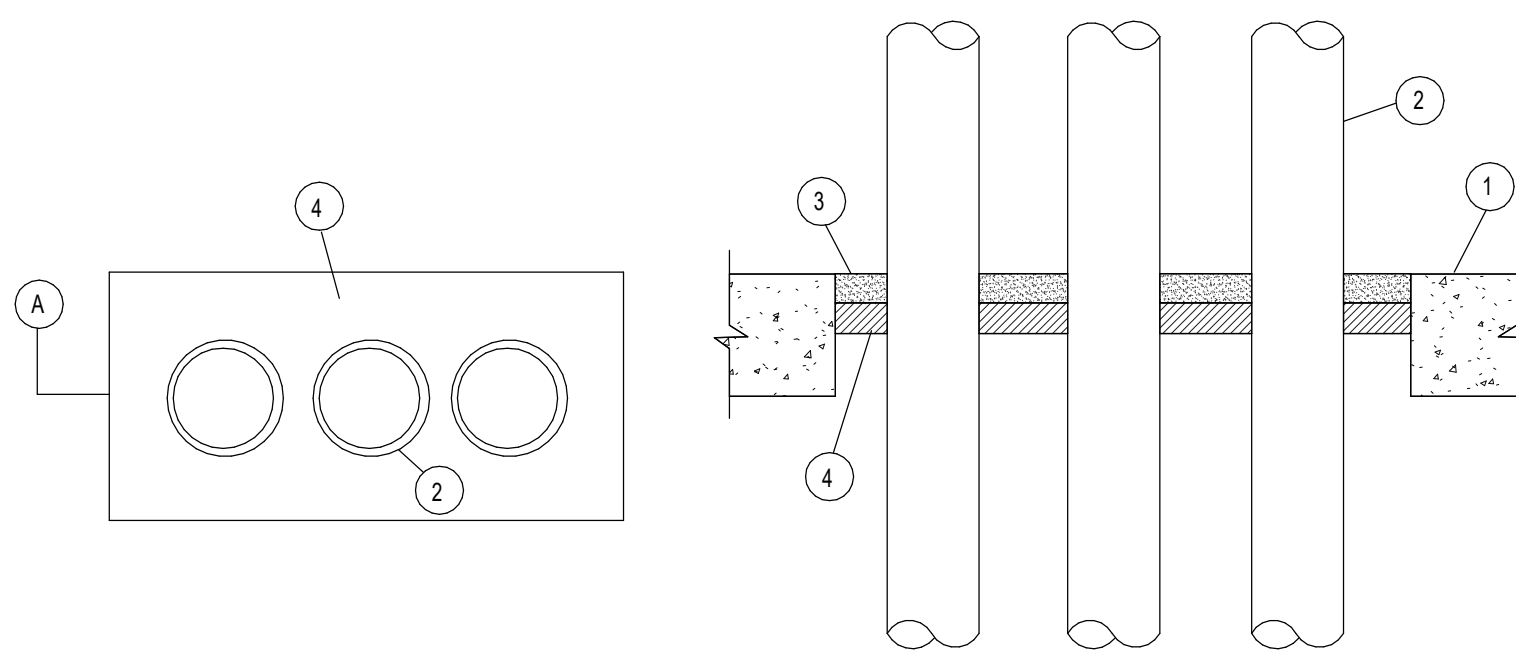
- WALL ASSEMBLY - THE 1,2,3 OR 4 HR. FIRE-RATED GYPSUM WALLBOARD/STUD WALL ASSEMBLY SHALL BE CONSTRUCTED OF THE MATERIALS AND IN THE MANNER DESCRIBED IN THE INDIVIDUAL U300 OR U400 SERIES WALL OR PARTITION DESIGNS IN THE U.L. FIRE RESISTANCE DIRECTORY AND SHALL INCLUDE THE FOLLOWING CONSTRUCTION FEATURES.
  - A. STUDS-WALL FRAMING MAY CONSIST OF EITHER WOOD STUDS (MAX. 2 HR. FIRE RATED ASSEMBLIES) OR STEEL CHANNEL STUDS. WOOD STUDS TO CONSIST OF NOMINAL 2 BY 4 IN. LUMBER SPACED 16 IN. OC WITH NOMINAL 2 BY 4 IN. LUMBER END PLATES AND CROSS BRACES. STEEL STUDS TO BE MINIMUM 3-5/8 IN. WIDE BY 1-3/8 IN. DEEP CHANNELS SPACED MAX. 24 IN. O.C.
  - B. WALLBOARD, GYPSUM\* - NOM 1/2 OR 5/8 IN. THICK, 4 FT. WIDE WITH SQUARE OR TAPERED EDGES. THE GYPSUM WALLBOARD TYPE, THICKNESS, NUMBER OF LAYERS, FASTENER TYPE AND SHEET ORIENTATION SHALL BE AS SPECIFIED IN THE INDIVIDUAL U300 OR U400 SERIES DESIGN IN THE U.L. FIRE RESISTANCE DIRECTORY. MAXIMUM DIAMETER OF OPENING IS 13-1/2 IN.
- PIPE OR CONDUIT-NOM 12 IN. DIA. (OR SMALLER) SCHEDULE 10 (OR HEAVIER) STEEL PIPE, NOM 6 IN. DIA. (OR SMALLER) STEEL CONDUIT, NOM 4 IN. DIA. (OR SMALLER) STEEL ELECTRICAL METALLIC TUBING OR TYPE L (OR HEAVIER) COPPER TUBING OR NOM 1 IN. DIA. (OR SMALLER) FLEXIBLE STEEL CONDUIT. WHEN COPPER PIPE OR FLEXIBLE STEEL CONDUIT IS USED, MAX. F RATING OF FIRESTOP SYSTEM (ITEM 3) IS 2 HR. STEEL PIPES OR CONDUITS LARGER THAN NOM 4 IN. DIA. MAY ONLY BE USED IN WALLS CONSTRUCTED USING STEEL CHANNEL STUDS. A MAX OF ONE PIPE OR CONDUIT IS PERMITTED IN THE FIRESTOP SYSTEM. PIPE OR CONDUIT TO BE INSTALLED NEAR CENTER OF STUD CAVITY WIDTH AND TO BE RIGIDLY SUPPORTED ON BOTH SIDES OF WALL ASSEMBLY.
- FILL, VOID OR CAVITY MATERIAL\* - CAULK\*\* - CAULK FILL MATERIAL INSTALLED TO COMPLETELY FILL ANNULAR SPACE BETWEEN PIPE OR CONDUIT AND GYPSUM WALLBOARD AND WITH A MIN. 1/4 IN. DIA. BEAD OF CAULK APPLIED TO PERIMETER OF PIPE OR CONDUIT AT ITS EGRESS FROM THE WALL. CAULK INSTALLED SYMMETRICALLY ON BOTH SIDES OF WALL ASSEMBLY. THE HOURLY F RATING OF THE FIRESTOP SYSTEM IS DEPENDENT UPON THE HOURLY FIRE RATING OF WALL ASSEMBLY IN WHICH IT IS INSTALLED AS SHOWN IN THE FOLLOWING TABLE. THE HOURLY F RATING OF THE FIRE STOP SYSTEM IS DEPENDENT UPON THE TYPE OR SIZE OF THE PIPE OR CONDUIT AND THE HOURLY FIRE RATING OF THE WALL ASSEMBLY IN WHICH IT IS INSTALLED, AS TABULATED BELOW:

MAX PIPE OR CONDUIT DIAMETER, IN.	ANNULAR SPACE, IN.	F RATING HOUR	T RATING HOUR
1	0 TO 3/16	1 OR 2	0*, 1 OR 2
1	1/4 TO 1/2	3 OR 4	3 OR 4
4	0 TO 1/4	1 OR 2	0
6	1/4 TO 1/2	3 OR 4	0
12	3/16 TO 3/8	1 OR 2	0

\*WHEN COPPER PIPE IS USED, T RATING IS 0 HOUR.  
 \*\*BEARING THE UL CLASSIFICATION MARKING.  
 \*\*\*MING & MFG. CO. - TYPES CP-25 SL, CP-25 NS, CP-25 WB, CP-25 WB+.

### THROUGH-PENETRATION FIRESTOP SYSTEMS (XHEZ)

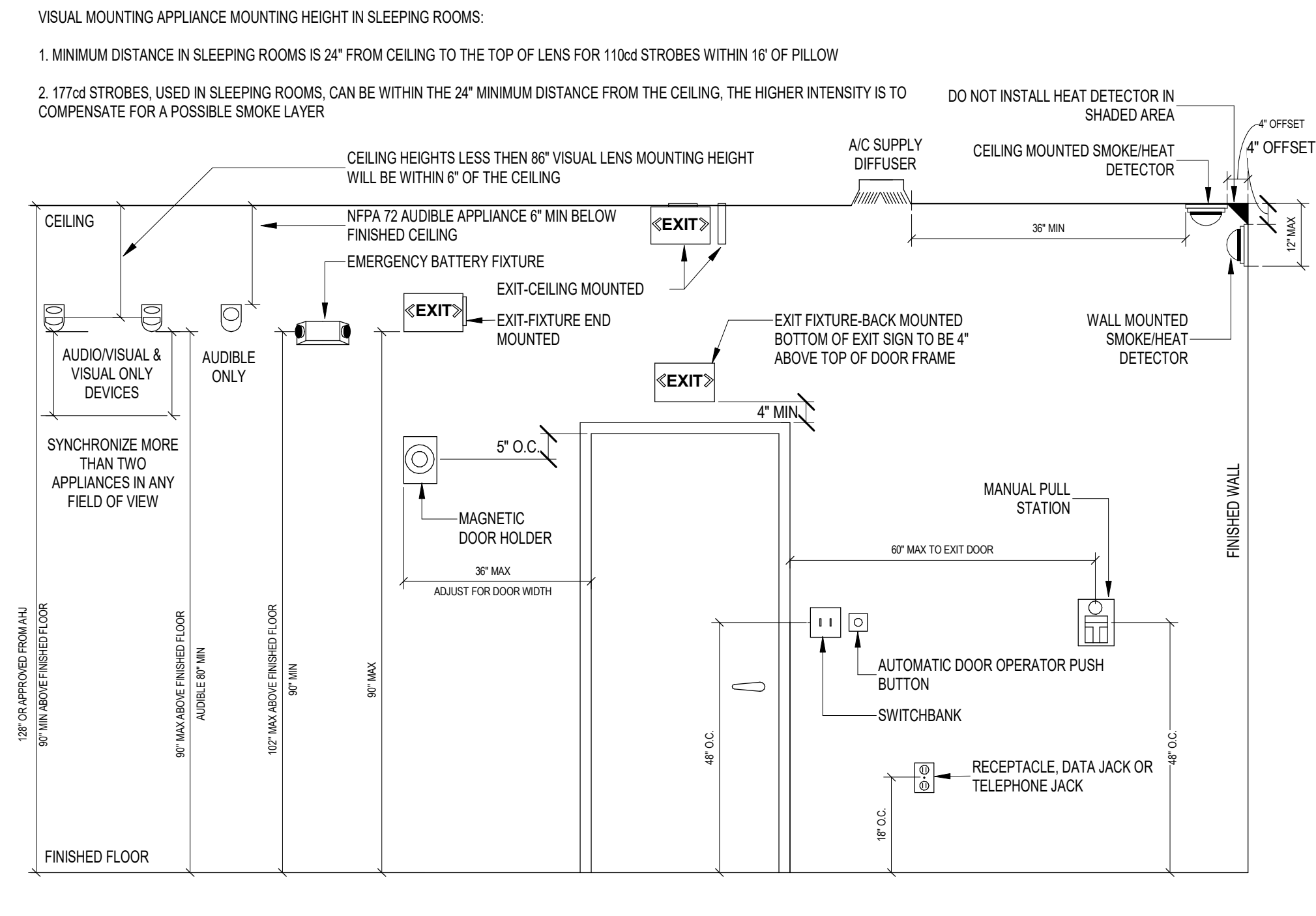
SYSTEM NO. F41002 (FORMERLY SYSTEM NO. 152)  
 F RATINGS-2 HR  
 T RATINGS-0 HR  
 L RATING AT AMBIENT-2 CFM/sq ft (SEE ITEM 4)  
 L RATING AT 400 F- LESS THAN 1 CFM/sq ft (SEE ITEM 4)



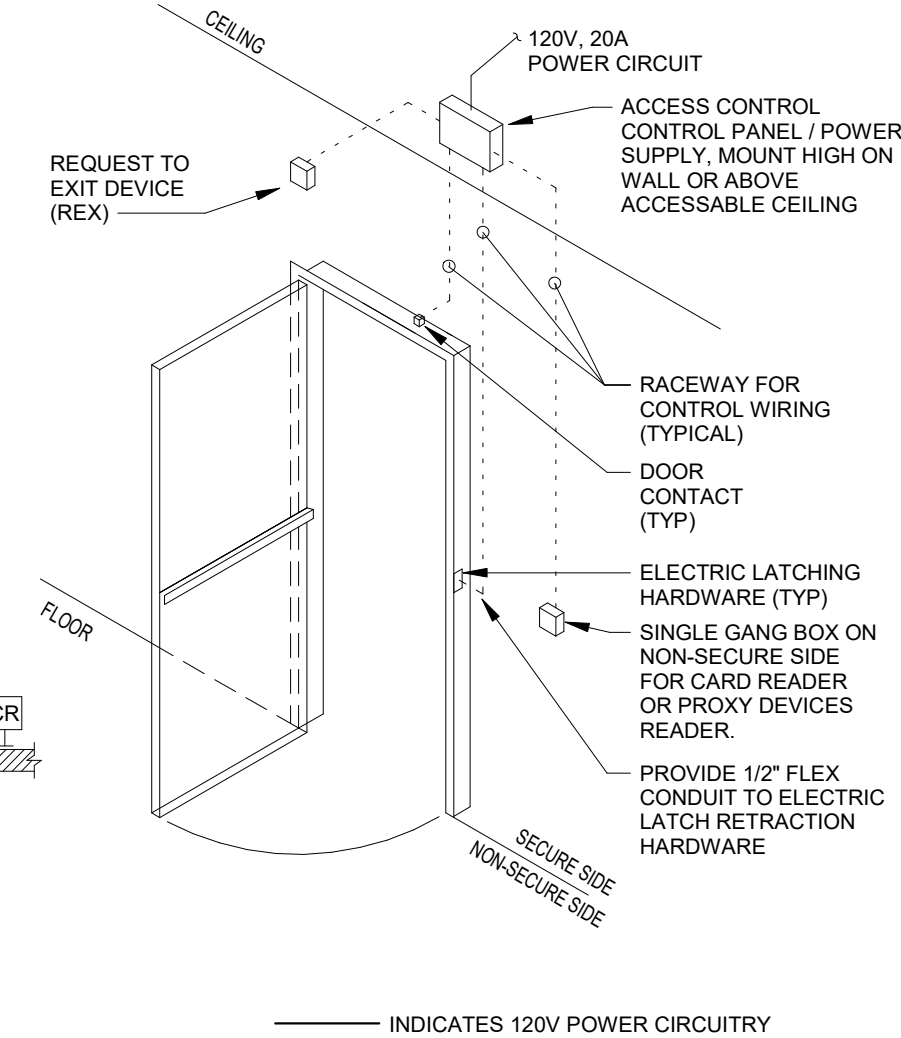
- FLOOR ASSEMBLY - MIN. 4-1/2 IN. THICK LIGHTWEIGHT OR NORMAL WEIGHT (100-150 PCF) CONCRETE. MAX. AREA OF OPENING 192 SQ. IN. WITH MAX. LENGTH OF 24 IN. AND MAX. WIDTH OF 8 IN.
- PIPE - NOM 4 IN. DIAMETER (OR SMALLER) TYPE L (OR HEAVIER) COPPER TUBING SCHEDULE 10 (OR HEAVIER) STEEL PIPE, STEEL CONDUIT OR STEEL EMT TO BE INSTALLED WITH A MIN. CLEARANCE OF 1 IN. AND A MAX. CLEARANCE OF 2 IN. FROM THE SIDES OF THE THROUGH OPENING. A MIN. SEPARATION OF 1 IN. SHALL BE MAINTAINED BETWEEN ADJACENT PIPES. PIPES TO BE RIGIDLY SUPPORTED ON BOTH SIDES OF FLOOR ASSEMBLY.
- PACKING MATERIAL - MIN. 1 IN. THICK MINERAL-WOOL BATT MATERIAL INSULATION FIRMLY PACKED INTO OPENING AS A PERMANENT FORM WITH ITS TOP SURFACE RECESSED MIN. 1 IN. FROM TOP SURFACE OF FLOOR.
- FILL, VOID, OR CAVITY MATERIALS\* - CAULK - APPLIED TO FILL THROUGH OPENING TO A MIN. DEPTH OF 1 IN., FLUSH WITH TOP SURFACE OF FLOOR.  
 MINNESOTA MINING & MFG. CO. - TYPES CP-25 WB, CP-25 WB+\*. (NOTE: L RATINGS APPLY ONLY WHEN TYPE CP-25 WB+ CAULK IS USED).

\*BEARING THE UL CLASSIFICATION MARKING

### TYPICAL MOUNTING HEIGHTS



1 TYPICAL MOUNTING HEIGHT DETAIL  
 SCALE: NOT TO SCALE

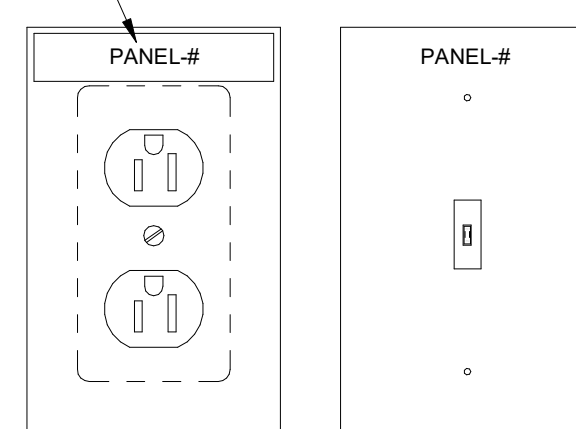


2 SINGLE DOOR ACCESS HARDWARE ROUGHING DETAIL  
 SCALE: NOT TO SCALE

NOTE:  
 ALL DEVICES INCLUDE POWER SUPPLY, PUSH BUTTON ACTUATORS, DOOR OPERATORS, CLOSERS, CONTROL VOLTAGE CIRCUITRY (INCLUDING EXPOSED OR CONCEALED RACEWAY. (REFER TO DIV 28) TO BE FURNISHED BY OWNER'S DOOR ACCESS CONTROL CONTRACTOR, UNO.

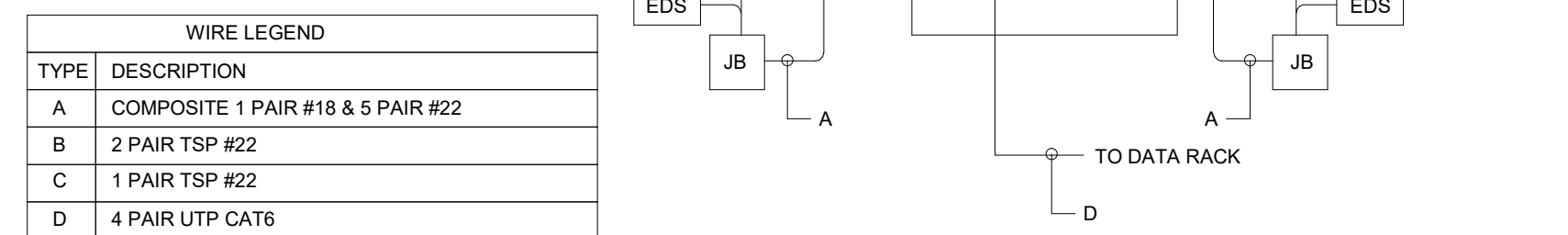
### 4 ELECTRICAL CONDUIT PENETRATION DETAIL SCALE: NOT TO SCALE

PROVIDE LABEL INDICATING PANEL BOARD AND CIRCUIT SUPPLYING RECEPTACLE SELF LAMINATING VINYL CABLE IDENTIFICATION TAG, 1/2" TEXT HEIGHT, BY BRADY OR APPROVED EQUAL.



5 CIRCUIT IDENTIFICATION DETAIL  
 SCALE: NOT TO SCALE

### 3 ACCESS CONTROL - TYPICAL RISER DIAGRAM SCALE: NOT TO SCALE



TYPE	DESCRIPTION
A	COMPOSITE 1 PAIR #18 & 5 PAIR #22
B	2 PAIR TSP #22
C	1 PAIR TSP #22
D	4 PAIR UTP CAT6

### DETAIL NOTES:

- REFER TO IDENTIFICATION SPECIFICATION 26 0553 FOR ADDITIONAL NAMEPLATE REQUIREMENTS.
- NAMEPLATE SHALL BE LAMINATED THREE LAYER PLASTIC WITH ENGRAVED BLACK LETTERS ON WHITE CONTRASTING BACKGROUND. LETTER SIZE SHALL BE 1/8", MINIMUM PLATE THICKNESS 1/8".
- SECURE NAMEPLATE TO SURFACES WITH (2) FLAT HEAD BRASS SCREWS. ADHESIVE CEMENT SHALL NOT BE ALLOWED.
- NAMEPLATES SHALL BE USED TO IDENTIFY ANY NEW EQUIPMENT INSTALLED UNDER THIS PROJECT INCLUDING BUT NOT LIMITED TO ANY OF THE FOLLOWING:

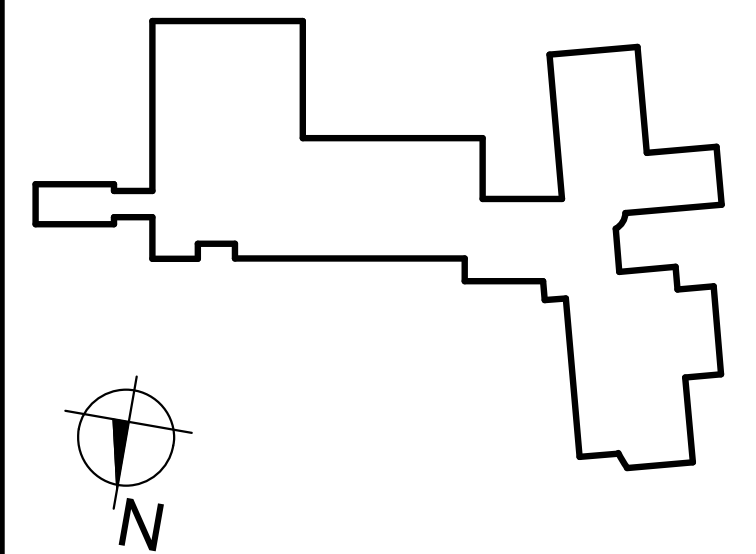
- PANELBOARDS
- SWITCHBOARDS
- SWITCHGEAR
- TRANSFORMERS
- SERVICE DISCONNECTS
- EQUIPMENT SAFETY SWITCHES / DISCONNECTS
- CIRCUIT BREAKERS IN DISTRIBUTION PANEL BOARDS
- TIME CLOCKS
- CONTACTOR PANELS
- MOTOR STARTERS
- VFD'S

EXAMPLE:



6 NAME PLATE DETAIL  
 SCALE: NOT TO SCALE

KEY PLAN:



SED NO. 19-90-00-00-0-016-023

COPYRIGHT © 2024 - BCA ARCHITECTS & ENGINEERS. WARNING - IT IS A VIOLATION OF THE NEW YORK STATE EDUCATION LAW FOR ANY UNAUTHORIZED ALTERATIONS TO THIS DOCUMENT AS PER ARTICLE 145 AND 147.

**BCA Architects & Engineers**  
 Watertown | Ithaca | Saratoga Springs  
 Rochester | Troy | Binghamton  
 WWW.THEBCAGROUP.COM

**BCA**  
 ARCHITECTS  
 ENGINEERS

**ONC**  
 BOCES

OTSEGO NORTHERN CATSKILLS BOCES  
 OTSEGO AREA OCCUPATIONAL CENTER  
 1914 COUNTY HWY 35, MILFORD, NY 13807  
 MILFORD - OTSEGO - NY

REV	DATE	DESCRIPTION

DRAWN BY	PROJECT NUMBER
TMF	2024-060
CHECKED BY	DATE
SGV	08/29/2024

ELECTRICAL DETAILS

SHEET NUMBER  
**E500**

**Panel: OAOC-5 SEC.1**

Location: WELDING SHOP 172  
 Supply From:  
 Mounting: SURFACE  
 Enclosure: NEMA 1

Volts: 208Y/120  
 Phases: 3  
 Wires: 4

A.I.C. Rating: 10,000 AMPS SYMMETRICAL  
 Mains Type: MAIN CB  
 Mains Rating: 400.0 A  
 MCB Rating: 400.0 A  
 Accessories:

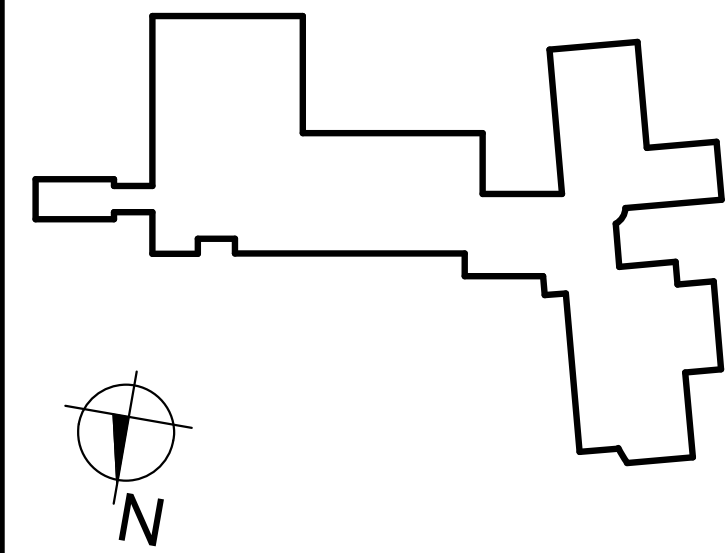
Notes:

CKT	Circuit Description	Trip	Poles	Poles	Trip	Circuit Description	CKT
1							2
3		60 A	2	2	50 A		4
5							6
7		30 A	2	2	50 A		8
9		20 A	1	1	20 A		10
11							12
13		70 A	2	2	70 A	WELDER OUTLET	14
15							16
17	WELDER OUTLET	70 A	2	2	70 A	WELDER OUTLET	18
19							20
21	WELDER OUTLET	70 A	2	2	70 A	2 OUTLETS LEFT OF OH DOOR	22
23	REC	20 A	1	1	20 A	120V OUTLET IN BOOTH	24
25						120V OUTLET IN BOOTH	26
27		50 A	2	1	20 A	120V OUTLET IN BOOTH	28
29		20 A	1	2	50 A	BOOTH REC	30
31		20 A	1				32
33	END DOORS	20 A	1	2	50 A	BOOTH REC	34
35	FAN	20 A	1				36
37	OVERHEAD DOOR MOTOR	20 A	1	1	20 A		38
39	OVERHEAD DOOR MOTOR	20 A	1	1	20 A		40
41	OVERHEAD DOOR MOTOR	20 A	1				42

**GENERAL NOTES:**

1. SEE DRAWING E600 FOR APPLICABLE GENERAL NOTES, ABBREVIATIONS, SYMBOLS AND LEGENDS

KEY PLAN:



SED NO. 19-90-00-00-0-016-023

COPYRIGHT © 2024 - BCA ARCHITECTS & ENGINEERS. WARNING - IT IS A VIOLATION OF THE NEW YORK STATE EDUCATION LAW FOR ANY UNAUTHORIZED ALTERATIONS TO THIS DOCUMENT AS PER ARTICLE 145 AND 147.

**BCA Architects & Engineers**  
 Watertown | Ithaca | Saratoga Springs  
 Rochester | Troy | Binghamton  
 WWW.THEBCGROUP.COM

**BCA**  
 ARCHITECTS  
 ENGINEERS



OTSEGO NORTHERN CATSKILLS BOCES  
 OTSEGO AREA OCCUPATIONAL CENTER  
 1914 COUNTY HWY 35, MILFORD, NY 13807  
 MILFORD - OTSEGO - NY

REV	DATE	DESCRIPTION

DRAWN BY TMF	PROJECT NUMBER 2024-060
CHECKED BY SGV	DATE 08/29/2024

**ELECTRICAL SCHEDULES**

SHEET NUMBER  
**E600**



## NOTICE TO BIDDERS

The **Otsego Northern Catskills BOCES (Owner)**, invites the submission of Sealed Bid Proposals to furnish materials and labor to complete the

Alterations to Otsego Area Occupational Center  
Project No. 2024-060

all in accordance with the plans and specifications.

This work is to be bid under a MULTIPLE CONTRACT system covering the work of all trades under separate contracts as follows:

Contract No. 1 – General Construction  
Contract No. 4 – Electrical

Sealed Bid Proposals will be received until **1:00 p.m.** prevailing time, on **Tuesday, March 4, 2025**, at the

ONC BOCES District Offices  
7352 State Highway 23, Suite 6  
Oneonta, New York 13820

Any bid may be withdrawn without prejudice prior to the official bid submission time or any publicized postponement thereof.

Complete digital sets of Bidding Documents, drawings and specifications, may be obtained online as a download at the following website: [www.revplans.com](http://www.revplans.com) under 'public projects.'

Complete sets of Bidding Documents, Drawings and Specifications, may be obtained from REVplans, 28 Church Street; Suite 7, Warwick, New York 10990 Tel: 1-845-651-3845, upon depositing the sum of \$100.00 for each combined set of documents. Checks or money orders shall be made payable to BCA Architects & Engineers. Plan deposit is refundable in accordance with the terms in the Instructions to Bidders to all submitting bids. Any bidder requiring documents to be shipped shall make arrangements with the printer and pay for all packaging and shipping costs.

Please note REVplans (<https://thebcgroup.biddiyhq.com>) is the designated location and means for distributing and obtaining all bid package information. Only those Contract Documents obtained in this manner will enable a prospective bidder to be identified as an official plan holder of record. The Provider takes no responsibility for the completeness of Contract Documents obtained from other sources. Contract Documents obtained from other sources may not be accurate or may not contain addenda that may have been issued

All bid addenda will be transmitted to registered plan holders via email and will be available at [www.revplans.com](http://www.revplans.com). Plan holders who have paid for hard copies of the bid documents will need to make the determination if hard copies of the addenda are required for their use and coordinate directly with the printer for hard copies of addenda to be issued. There will be no charge for registered plan holders to obtain hard copies of the bid addenda.

The Bid Documents and Contract Documents may also be examined at the office of BCA Architects & Engineers, 31 Lewis Street; Suite 402; Binghamton, New York 13901.

Please [visit thebcgroup.com/bidding](http://thebcgroup.com/bidding) for the project information and select the project and complete the Bid Set Request Form to order a printed or digital copy or both, of the bidding documents. Printed copies of the documents for each prospective bidder may be obtained from the office of BCA Architects & Engineers upon payment of \$100.00 for printed sets. A payment of \$100.00 will be required for each printed additional set requested (if available). Bidders wishing documents mailed to them shall include, in addition to the document deposit, a non-refundable check of \$15.00 per set for handling and postage or a UPS/FedEx account number. ***There is no cost to the bidders for digital copies.***

**PLANS AND SPECIFICATIONS REMAIN THE PROPERTY OF BCA Architects & Engineers AND PRINTED MUST BE RETURNED IN GOOD CONDITION WITHIN THIRTY (30) BUSINESS DAYS AFTER AWARD OF CONTRACT OR REJECTION OF BIDS.** The plan deposit for one set of Plans and Specifications will be refunded to bona fide bidders returning Plans and Specifications to BCA Architects & Engineers within 30 business days after award of Contract or rejection of bids. A partial refund of the plan deposit, in an amount equal to the full

amount of such deposit, less the actual cost of reproduction of the Plans and Specifications shall be made to non-bidders and unsuccessful bidders for the return of all other copies of the Plans and Specifications in good condition within 30 business days following the award of the Contract or the rejection of the bids.

Plan Deposit Policy, Plan Holders List, Pre-Bid Estimates, and a list of Addendums, if any, may be found at [www.thebcgroup.com/bidding](http://www.thebcgroup.com/bidding).

A pre-bid conference will not be required. If any contractor would like to review the spaces at the district, you will need to set up an appointment with the Head of Buildings and Grounds, Mr. Vinny Wojchiechowski (607)-778-9729.

Bids shall be prepared as set forth in the Information to Bidders, enclosed in a sealed envelope bearing on its face the name, address and phone number of the bidder and the title of the project.

Each bidder agrees to waive any claim it has or may have against the Owner, the Architect/Engineer, and the respective employees, arising out of or in connection with the administration, evaluation or recommendation of any bid.

The Owner further reserves its right to disqualify bidders for any material failure to comply with the Information for Bidders and General, Supplementary, and Special Conditions.

The Owner reserves the right to reject any or all bids and to waive any informalities or defects in such bid either before or after opening.

Each bidder must deposit with his bid, security in the form and subject to the conditions provided in the "INFORMATION FOR BIDDERS". Attention of bidders is particularly called to the requirements as to conditions of employment to be observed and to the minimum wage rates to be paid under the Contract. No bidder may withdraw his bid within 45 business days after the date of the opening of bids.

**ATTENTION OUT-OF-STATE BIDDERS**

Please pay particular attention to the Form of Proposal and its related forms in the project manual. Out-of-State Bidders are required to complete the "Statement Concerning Authority to do Business in the State of New York for non-New York State Companies" located in the Form of Proposal package. There are three sections that must be completed. You must also have the Non-Collusion Certificate completed and signed and if you are a corporation, you must have the Resolution completed and signed.

No bid will be considered when opened unless accompanied by a certified copy of your Authority to do Business in New York State. This is not to be confused with a sales tax certificate. The Authority can be obtained by contacting:

New York State Department of State  
Division of Corporations  
162 Washington Avenue  
Albany, NY 12231  
(518) 473-2492

If the Certificate does not accompany the bid, the bid is not valid.

In the event you are of the opinion that you are not required to obtain the Authority To Do Business in New York state, and you are not a New York State Corporation, then you should complete the *Statement Concerning Authority to do Business*. You must complete two out of three sections. The top portion must be completed by all vendors needing to complete this document and then either the *Individual Acknowledgement* or the *Corporate Acknowledgement*, depending on the status of your business.

By Order Of:

Date: \_\_\_\_\_

\_\_\_\_\_  
District Clerk